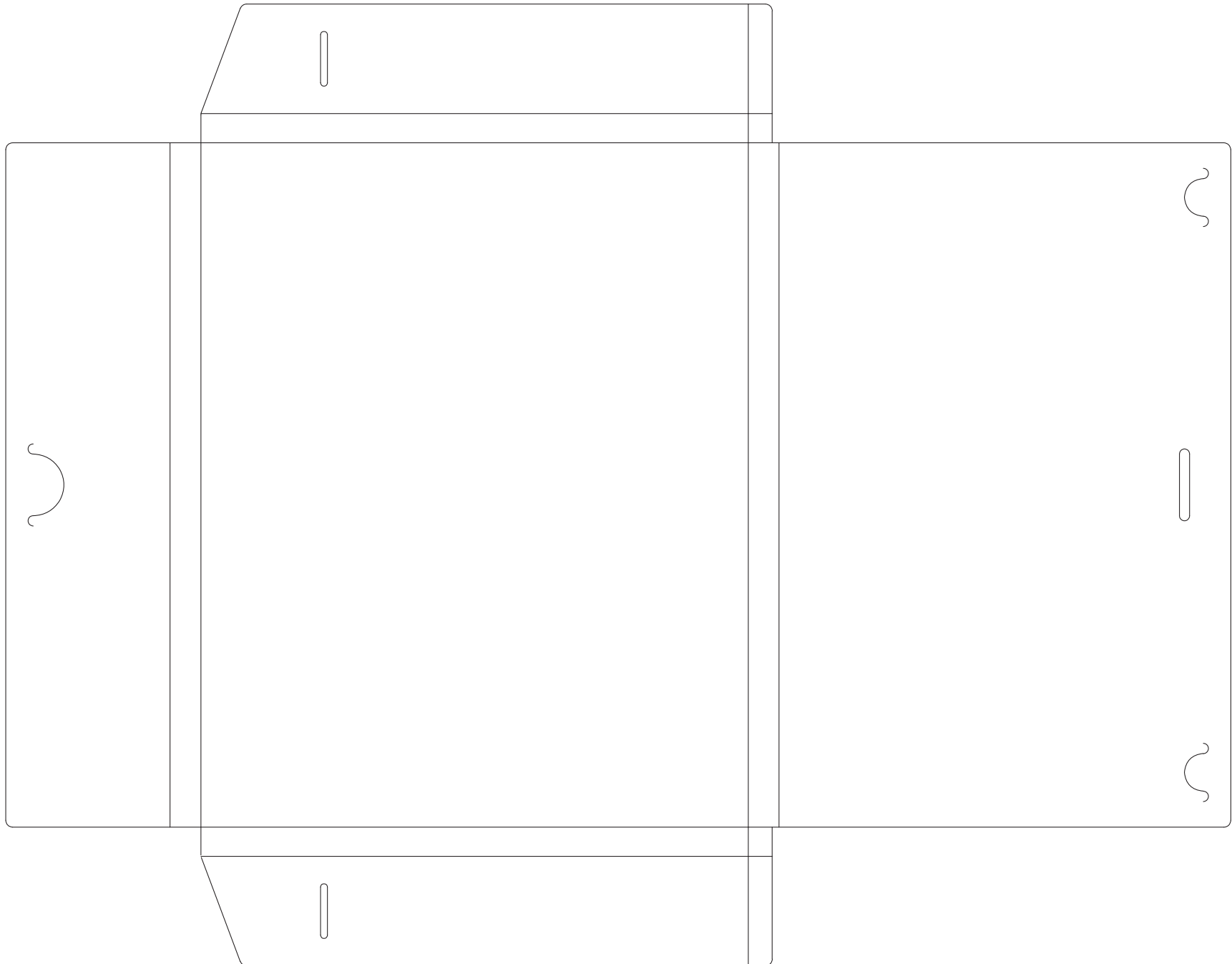
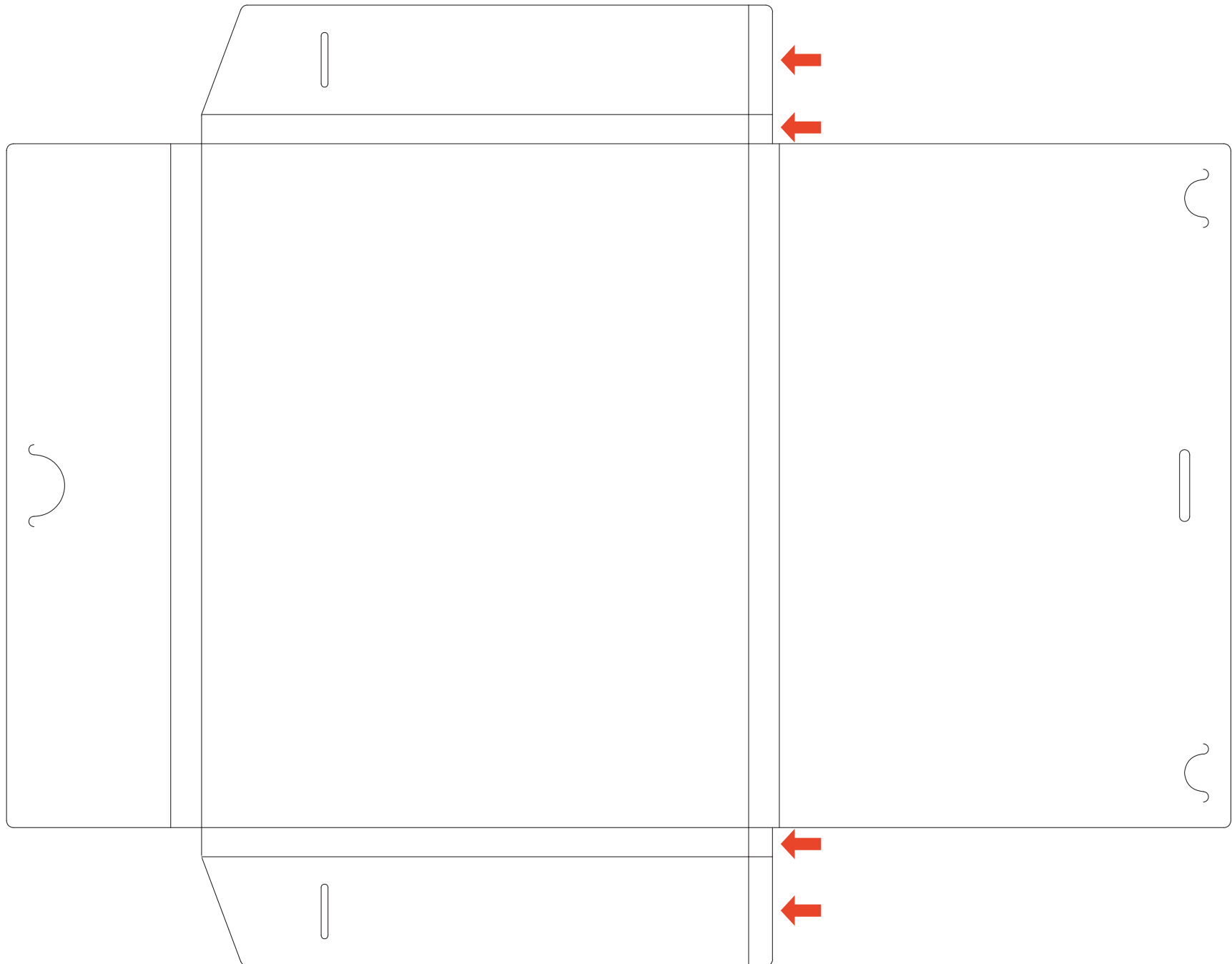


Welcome to Beaverite Corporation's  
folio assembly guide.

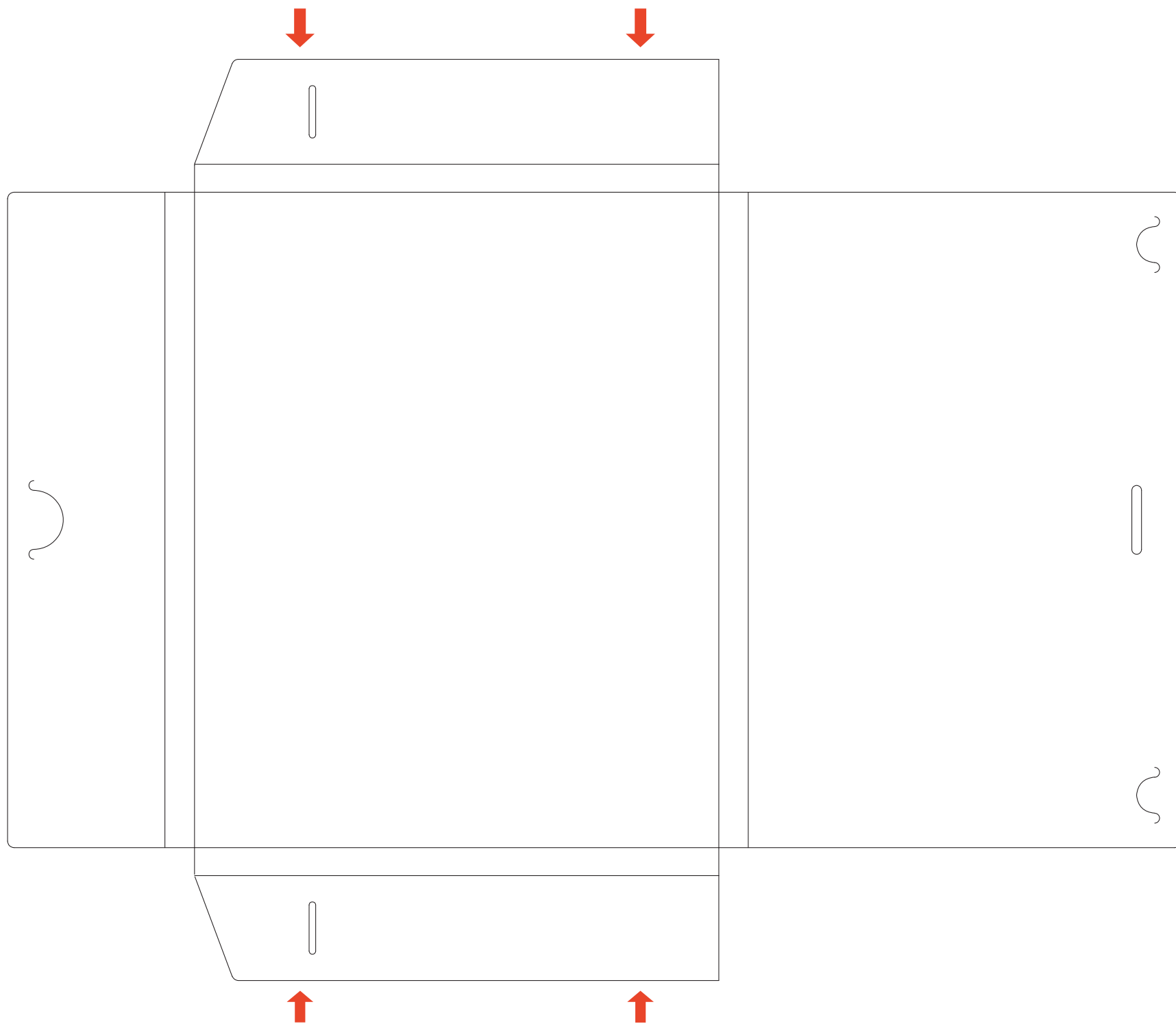
Hold folio with smooth side of the material up and with the top flap toward the left like in the picture below.



First take flaps shown by the arrows and fold upward



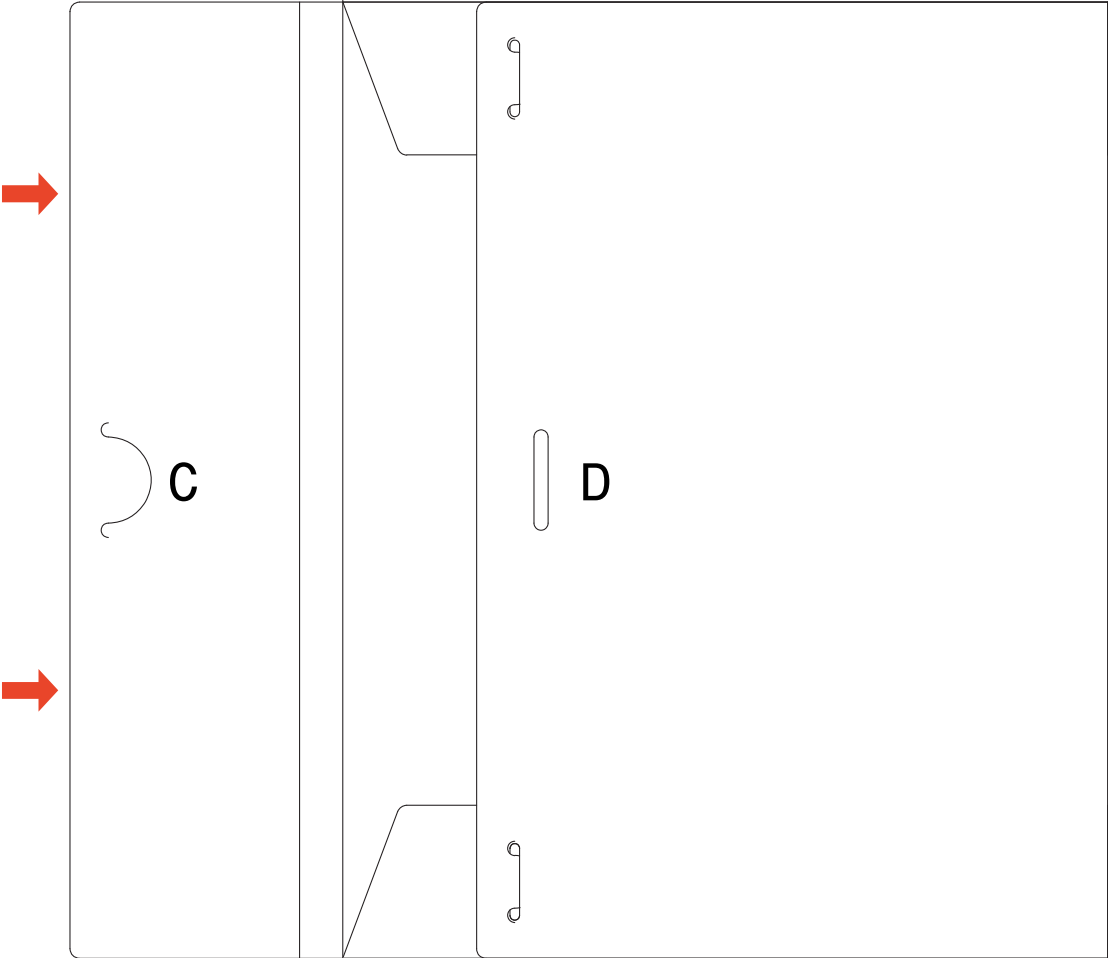
Next take the two flaps shown by the arrows and fold upward

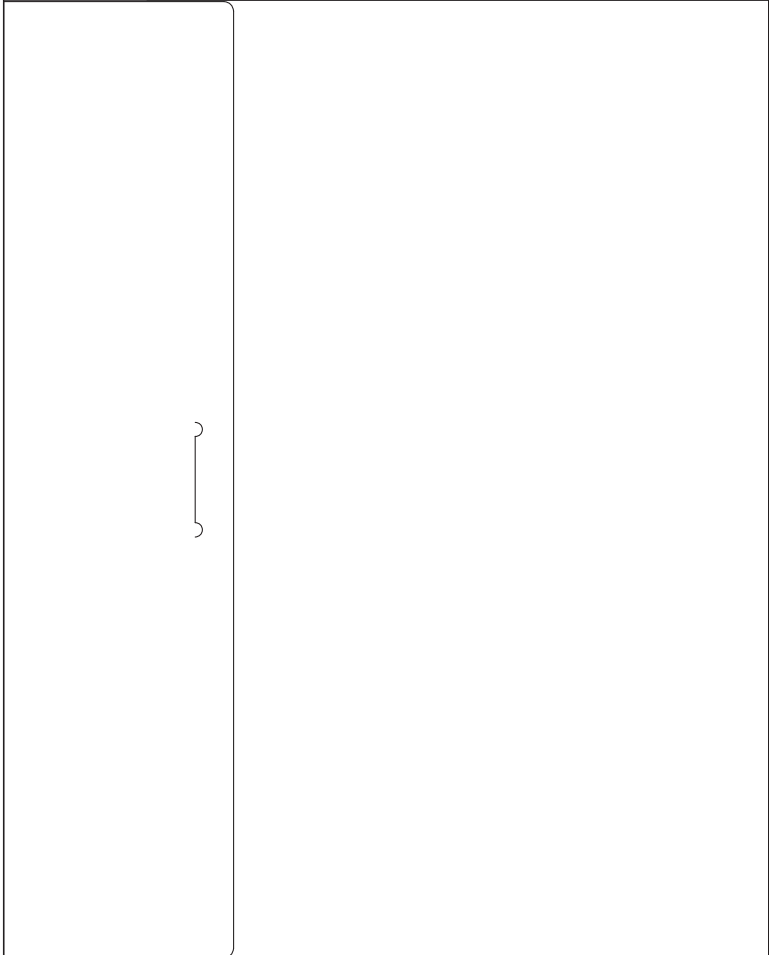


Continue by taking the flap shown by the arrows and fold upward. When flap is folded insert tabs labeled A into slots labeled B.



Now take the flap shown by the arrows and fold upward.  
When folded insert tab C into slot D.





Congratulations, you have successfully  
assembled your new folio

